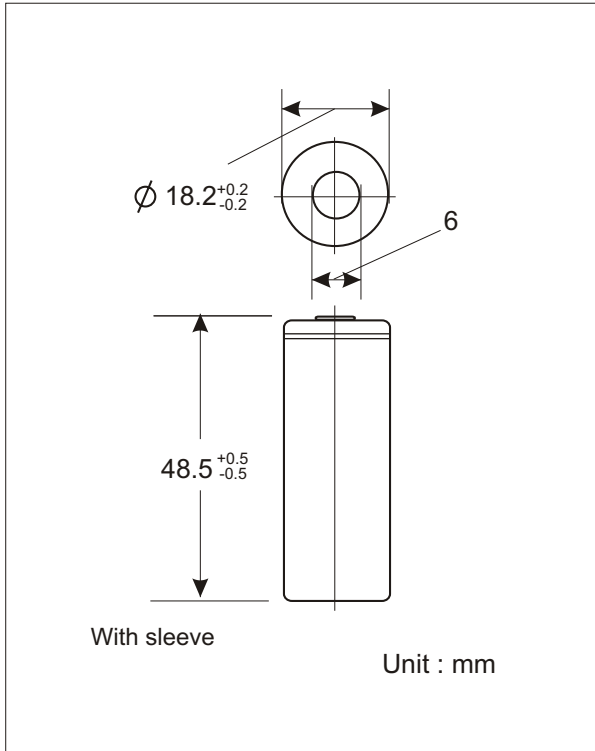


LI-18500-140 Specification

Rechargeable Lithium ion Cylindrical Battery

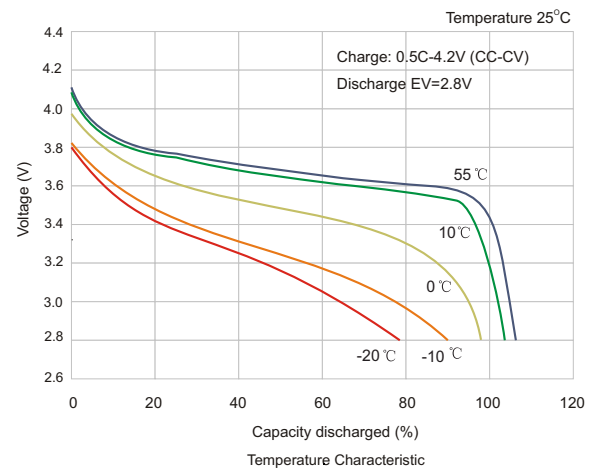
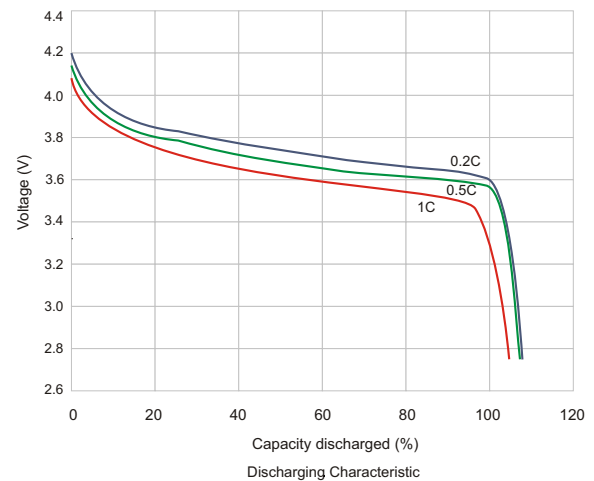
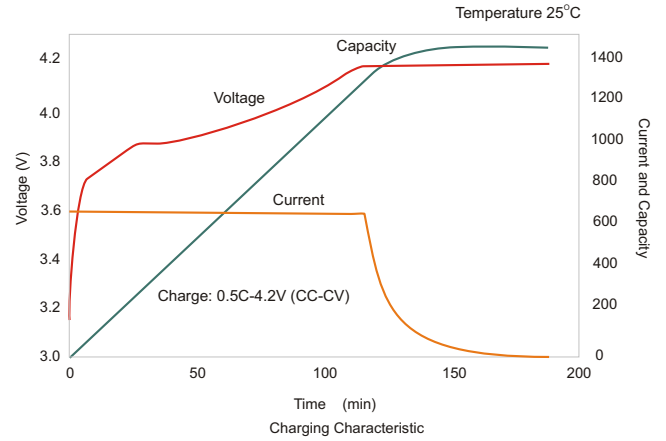
3.7V, 1400mAh



Typical Characteristics

Model: LI-18500-140

Specifications		
Nominal Voltage (V)		3.7V
Capacity	Typical (mAh)	1400
	Minimum (mAh)	1350
Dimension	Diameter (mm)	18.2 ^{+0.2} / _{-0.2}
	Height (mm)	48.5 ^{+0.5} / _{-0.5}
Charging and Discharge	Recommended Charging Conditions	280mA-1400mA charge termination control parameters taper current 14mA at 4.2V
	Max. Discharge current	2800mA
Operating Temp. (°C)	Charging	-20 ~ 45°C
	Discharging	-20 ~ 60°C
	Storage	-20 ~ 35°C
Service Life	>300 cycles	
Internal Resistance	≤80m Ohm (upon fully charged)	
Weight	Approx.33g	
Cuff-off Voltage (V)	2.75	
Charging Voltage (V)	4.2±0.05	



**Note: The data in this document are for descriptive purposes only and subject to change without prior notice.